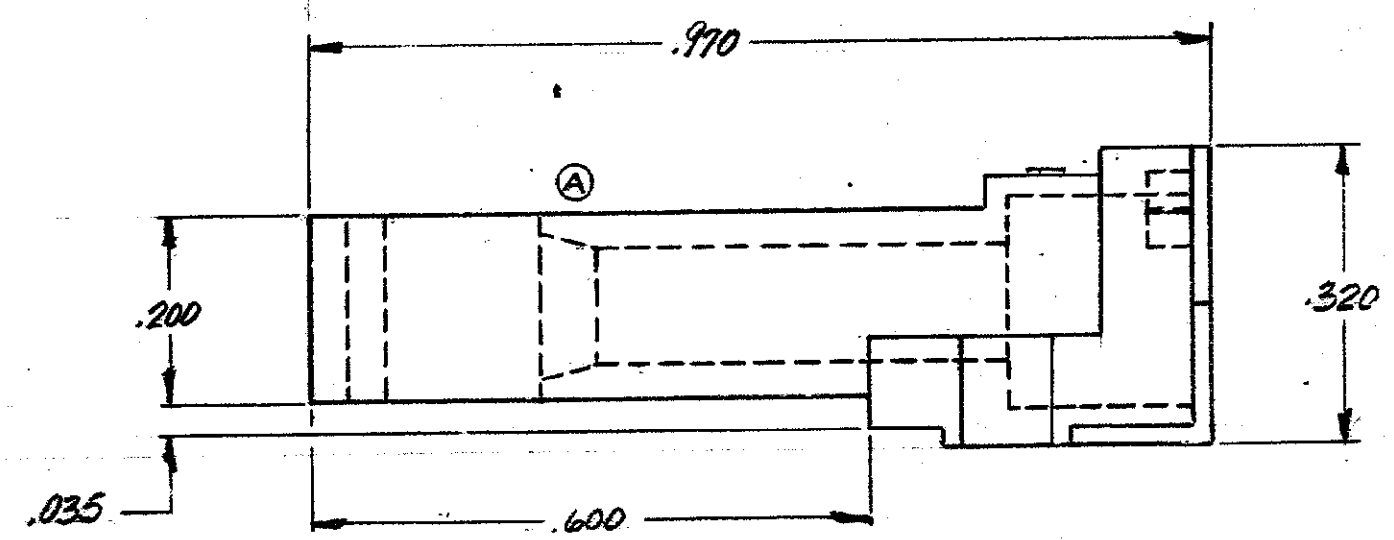
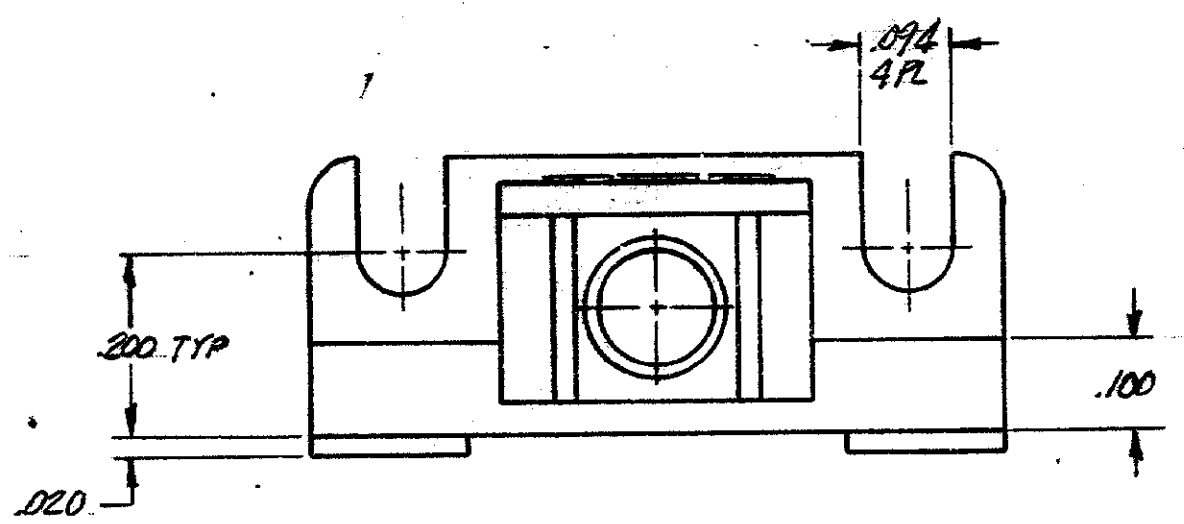
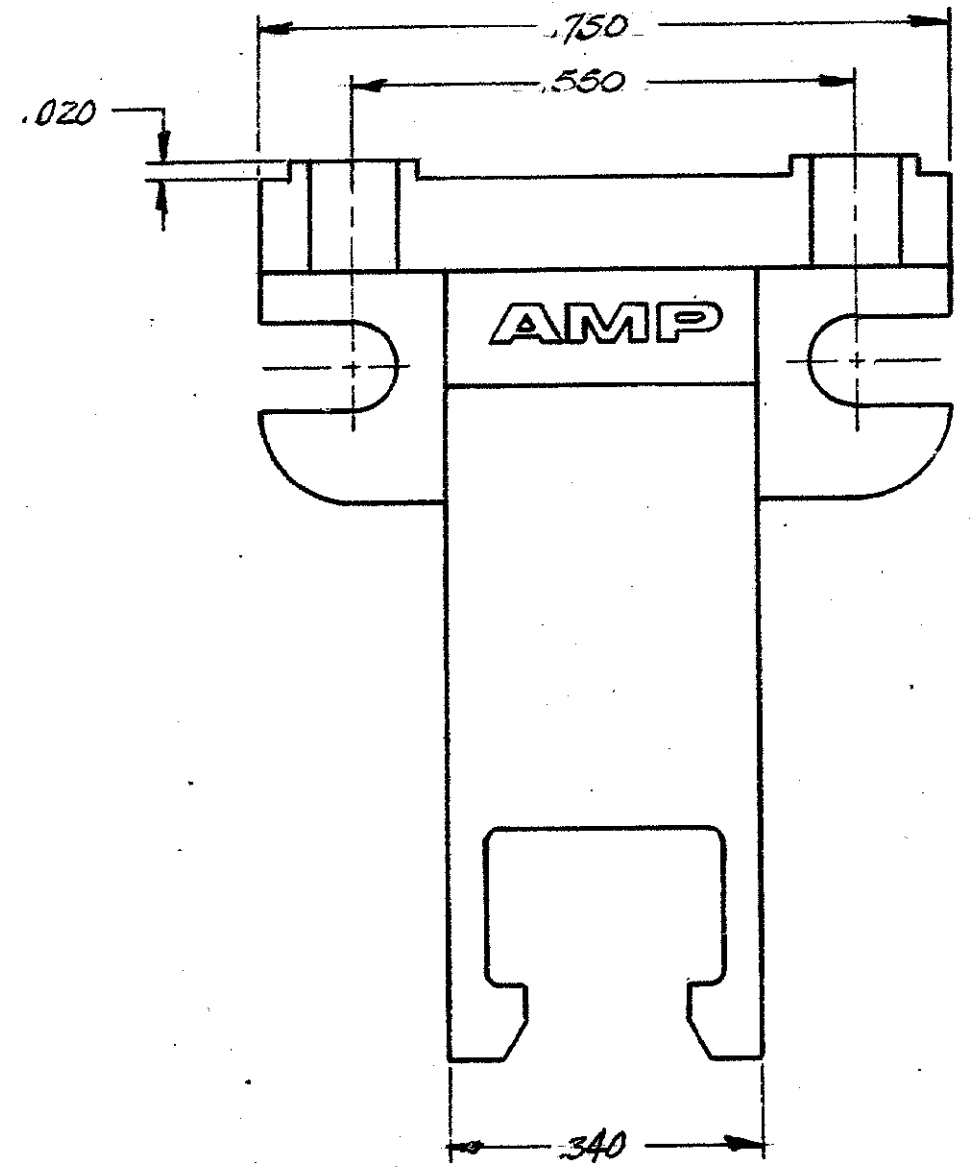



DRAWING MADE IN AMERICAN PROJECTION

© 1951 BY AMP INCORPORATED. ALL RIGHTS RESERVED. AMP PRODUCTS COVERED BY PATENTS AND/OR PATENTS PENDING.

REVISIONS				
ZONE	LTR	DESCRIPTION	DATE	APPROVED
0		RELEASED NPS 81-2515	3/30/81	JBL
A		REVISED CONFIGURATION OF I.D. C81-231	4/2/81	JBL
B		REV. PER ECN C83-261	3/23/83	P.K. 9008



UNLESS OTHERWISE SPECIFIED, DIMENSIONS ARE IN INCHES TOLERANCES ON: DECIMALS ±.010 ANGLES ±	CONTRACT NO.	 AMP INCORPORATED HARRISBURG, PENNSYLVANIA	
	DR <i>J. Bluff</i> 3/30/81		
MATERIAL NYLON, COLOR: BLACK	CHK R. MELTON 3/31/81	OPTIMATE DNP TO-18 TYPE	
	APPD Bernie Cason 3/31/81	SIZE C	CODE IDENT NO. 00779
	REL Michael Sand 4-1-81	NUMBER 228043-1	SHEET 1 of 1
	DSGN APPD	SCALE 1/16"	
OTHER APPD			